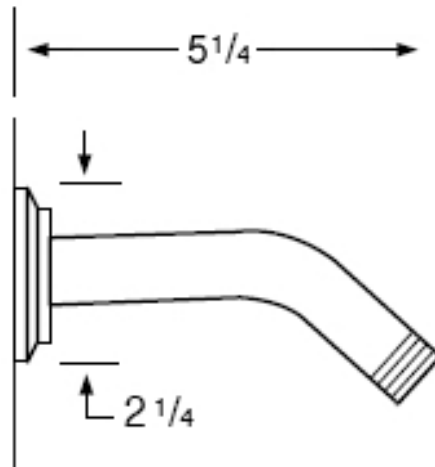


**SS-403TRAF**  
Shower Arm and Flange



**WATERMARK** DESIGNS

491 Wortman Avenue Spring Creek NY 11208 USA T 718 257 2800 F 718 257 2144 info@watermark-designs.com