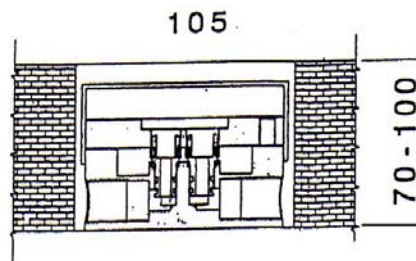
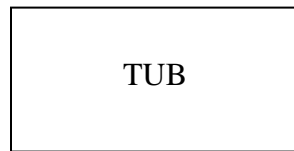
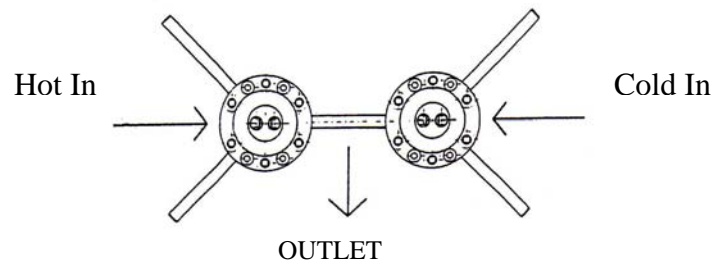


# INSTALLATION INSTRUCTIONS

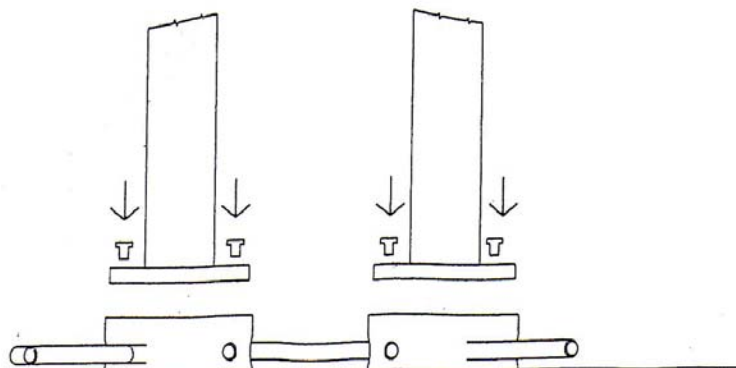
## Floor Mounted Bath Shower Mixer

Model # 22-8.3, 27-8.3, 44-8.3

1. Connect hot and cold water supplies to flanges equipped with iron brackets to guarantee cement floor tight. Take care to position the pieces in the orthogonal way thanks to water level. For each flange, be careful to respect the stated dimensional limits, as shown in the picture.



2. Fix the columns to the flanges through the screws.



3. Fix the bath group with the spout to the columns through the set screws.

