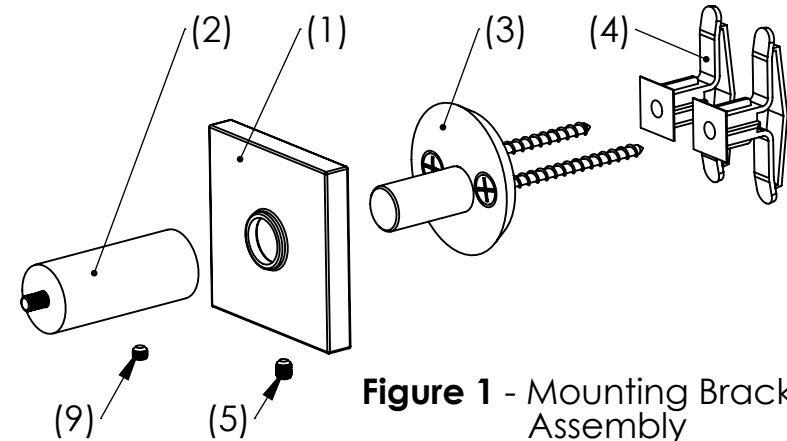


1. Start out by penciling in two vertical lines 24-1/2" apart. Use a level to ensure lines are vertical. See **Figure 2**
2. Find the desired position for bottom mounting brackets (**Figure 1**). Use a level to ensure left and right brackets are horizontal to each other.
3. Measure up 34" from bottom bracket position and mark center position of top brackets. (Again, use level to ensure top bracket positions are horizontal.)
4. Remove square flange **(1)** from mounting brackets. Then re-insert mounting hardware **(3)** (raw brass) into mirror post **(2)**.
5. Hold mirror bar up against wall and mark out screw positions with pencil. Have a helper close by to ensure that the mirror bar is vertical, using a level.
6. Repeat steps 4 & 5 on the opposite side.
7. Remove mounting hardware **(3)** from posts **(2)** and screw into wall using holes marked out in step 5. Common sense should be used to make sure hardware is secured to wall. If mounting on drywall alone, anchors must be used **(4)**.
8. Take square flanges **(1)** removed in step 4 and secure onto mounting hardware **(3)**. Place set screws **(5)** in a position that will be out of plane sight.
9. Loosen mirror bar caps **(6)** and insert mirror bars **(7)** over mirror **(8)**, placing set screw on the wall side of the mirror. Make set-screws snug against mirror, but not too tight! Over tightening will cause mirror to break. Tighten mirror bar caps **(6)** down over the ends.
10. Carefully lift mirror, with mirror bars attached and place posts **(2)** over mounting hardware **(3)**. Have your helper secure the four set screws **(9)** onto the mounting hardware.
11. Stand back and marvel at a job well done.

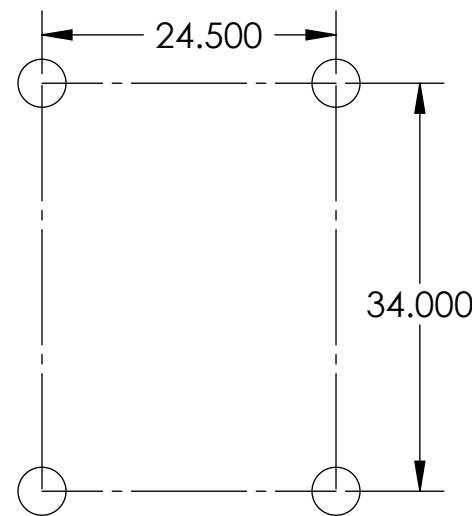
### Instructions are for **27-0.9A Rectangular Mirror**

-Mirror can be mounted vertical or horizontal. These instructions are for a vertical installation.  
 -For Horizontal installation, switch dimension in steps 1 & 3.

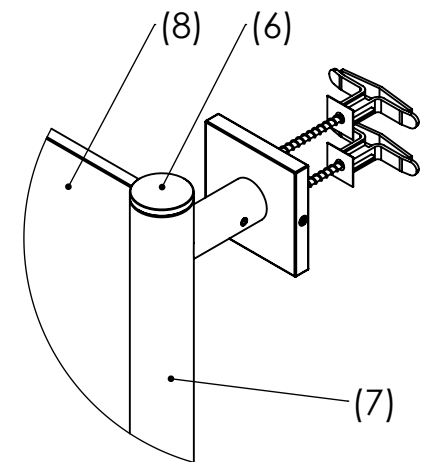
-For **27-0.9-Square Mirror** substitute 24.5" in step 3.



**Figure 1** - Mounting Bracket Assembly



**Figure 2** - Mounting Layout



**Figure 3** - Full Assembly Layout