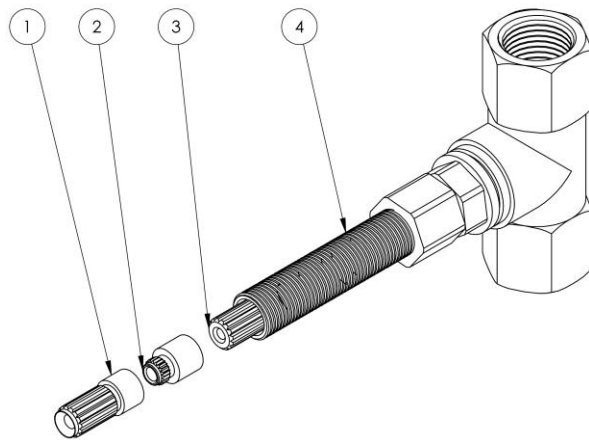
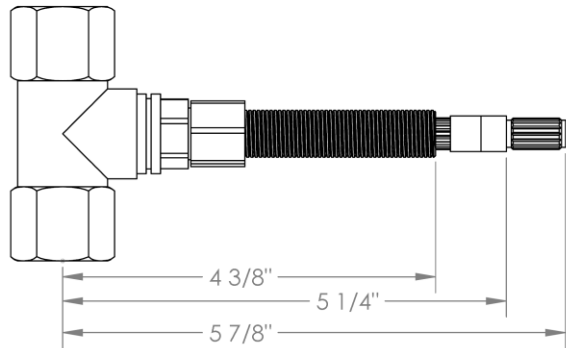
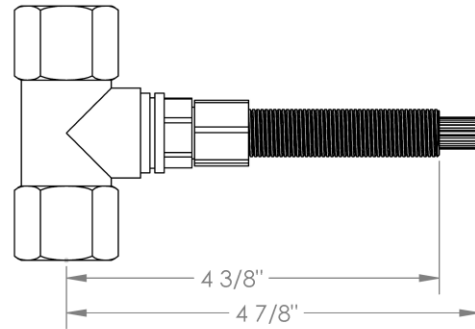


WATERMARK

Stem Alignment Kit Installation Instructions – Adendum



ITEM NO.	PART NUMBER	QTY.
1	SS-TS-HA 1	1
2	SS-TS-HA 2	1
3	SS-TS200 STEM	1
4	SS-TS200-NPPL	1



1. Install valve per enclosed installation instructions.
 - a. Refer to chart and note the dimension from the tip of the valve stem to the finished wall per your specified handle trim.
 - b. Note that the stem adapters (1, 2) will extend the valve stem by 1".**
2. Install the handle trim on the handle valve.
3. Use the stem alignment kit to adjust the orientation of the handle.
 - a. Part #1 has 24° of play, part # 2 has 18° of play, and part #3 has 24° of play so that the handles can be aligned within 8°.
 - b. If you are still unable to properly align the handles, tighten the cartridge via the bottom hex nut into the valve body.
4. The valve stem (3) and valve nipple (4) may be cut back if too much stem and nipple is showing after the trim is installed.
5. If not enough stem (3) and valve nipple (4) are sticking out of the wall for the specified handle trim, you may extend the valve stem and nipple by ordering an extension kit (model # SS-Ext20)

WATERMARK

350 DeWitt Avenue Brooklyn, NY 11207 USA T 718.257.2800 F 718.257.2144 www.watermark-designs.com